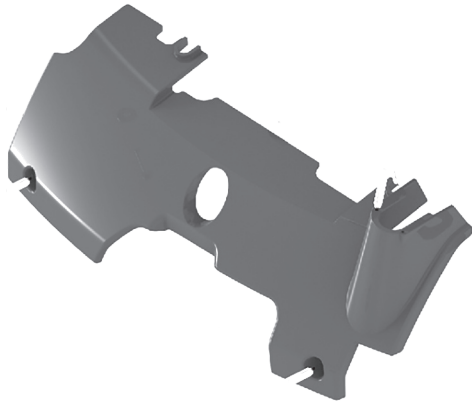


## Installation Guide

### JD 1025R KM 136 Mechanical Seat Kit (PN: 6986)



1. Disconnect operator presence switch.
2. Remove old seat and suspension where the slide rails attach to the tractor. Remove rear two bolts by sliding the seat forward and remove front two by sliding the seat backward.  
**IMPORTANT NOTE:** You may need to consult owner's manual to remove front plastic panel, mower height handle, differential lock pedal, and rate of drop control handle.
3. Mount angled pedestal plates down to tractor where you removed the old seat and slide rails using the same bolts you removed in step 2.
4. On the new seat, move slide rails out to 13" wide mounting from stock 11.25" wide mounting.
5. Mount the new seat and slide rails flat to the top of pedestal plates using provided button head bolts and nuts.
6. Reinstall the front plastic panel and handles.
7. Connect the provided wire harness to the seat and the male spade ends to the tractor OPS harness.

